



US005272900A

# United States Patent [19]

[11] Patent Number: 5,272,900

Robbins

[45] Date of Patent: Dec. 28, 1993

[54] BAYONET STYLE CONNECTOR FOR METAL EXTRUSION DUMMY BLOCK

0664705 5/1979 U.S.S.R. .... 72/273.5  
0897361 1/1982 U.S.S.R. .... 72/273.5

[75] Inventor: Paul H. Robbins, Aurora, Canada

Primary Examiner—Lowell A. Larson  
Assistant Examiner—Michael J. McKeon  
Attorney, Agent, or Firm—Basile and Hanlon

[73] Assignee: Exco Technologies, Limited, Markham, Canada

[21] Appl. No.: 947,168

[22] Filed: Sep. 18, 1992

[51] Int. Cl.<sup>5</sup> ..... B21C 26/00

[52] U.S. Cl. .... 72/273

[58] Field of Search ..... 72/273, 273.5, 253.1,  
72/478, 264, 265

## [57] ABSTRACT

In a circular dummy block for use in an extrusion press for extruding through a die, extrudable metal, a bayonet type coupler for connecting the dummy block to a stem of the extrusion press. The bayonet type coupler comprises:

- i) a post having on its outer end portion a first set of lugs of the bayonet style coupler,
- ii) a recess in the stem and having about its periphery a second set of lugs complementary to the first set to complete the bayonet style coupler,
- iii) a connector for connecting an inner end portion of the post to the dummy block, the connector being adapted to permit longitudinal movement of the dummy block along the post toward the outer end portion and permit lateral movement of the dummy block relative to the post, such longitudinal and lateral movement of the dummy block relative to the post allowing the dummy block to float during use in an extrusion press, and
- iv) a lock device in the stem for fixing the post once the bayonet coupler is assembled by inserting the outer end portion in the recess to locate the first set of lugs inwardly of the second set of lugs and rotating the post to lock the first set of lugs behind the second set of lugs.

## [56] References Cited

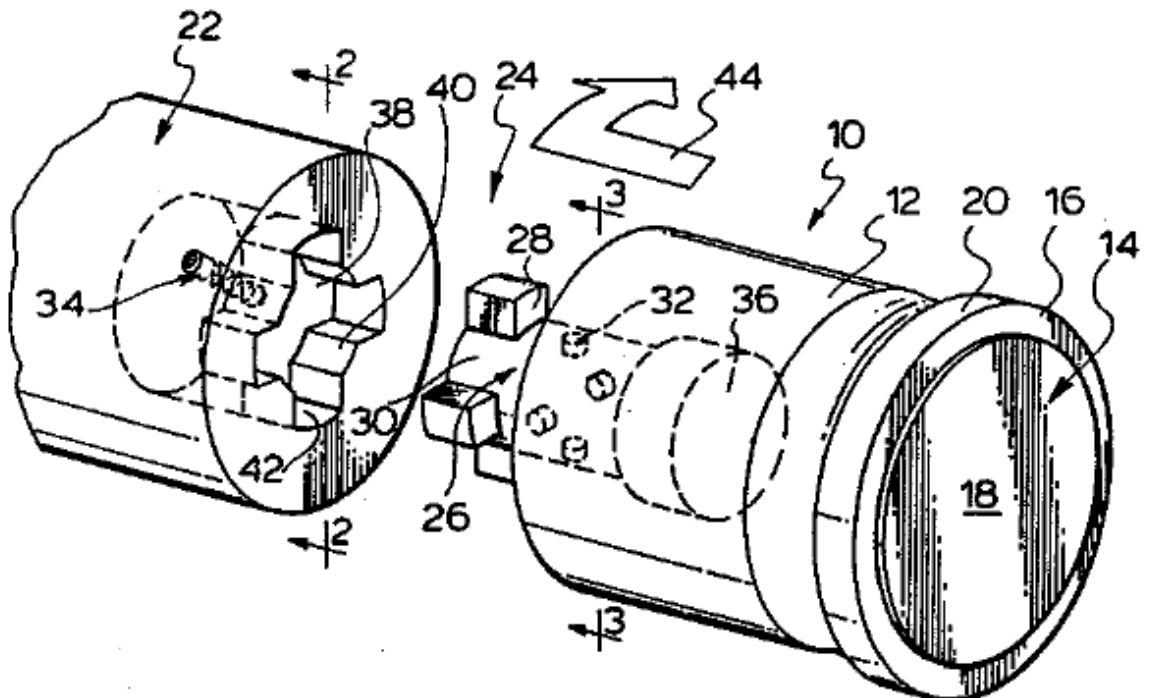
### U.S. PATENT DOCUMENTS

3,282,075	11/1966	Zhookoff	72/273
3,385,091	5/1968	Hess	72/273
3,581,544	6/1971	Grimes	72/253
3,616,672	11/1971	Moos	72/270
3,820,374	6/1974	Braeuninger	72/265
3,826,122	7/1974	Braeuninger	72/264
3,919,873	11/1975	Biswas et al.	72/273
4,052,877	10/1977	Zilges et al.	72/273
4,212,182	7/1980	Steyvers et al.	72/273
4,286,453	9/1981	Exner	72/273
4,342,212	8/1982	Sibler	72/255
4,550,584	11/1985	Degen	72/273
5,048,592	9/1991	Mueller	164/312
5,054,303	10/1991	Newman	72/38

### FOREIGN PATENT DOCUMENTS

1190518	7/1985	Canada	
0110015	5/1991	Japan	72/273
0569354	8/1977	U.S.S.R.	72/273

6 Claims, 2 Drawing Sheets



tenance fees  
ears and six  
reafter upon  
ning of the  
ment of the  
r before the  
! expire as of